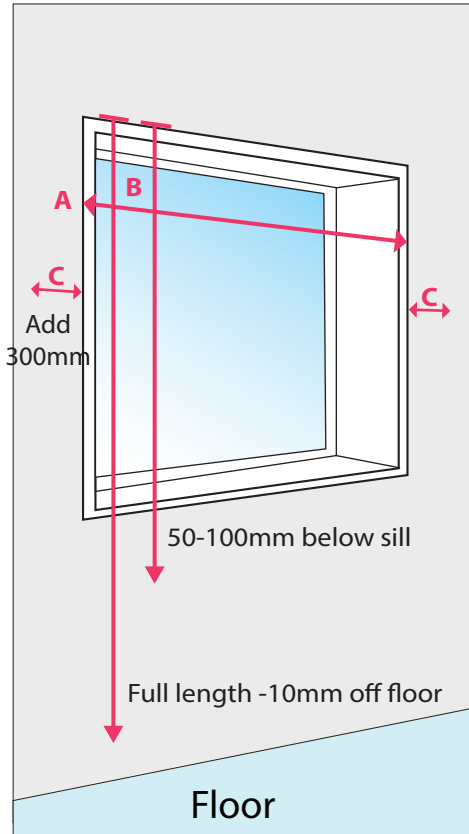


Measuring For Panel Glide Blinds

Measuring for Panel Glide Blinds



A Measure the EXACT outside width of your window frame.

B Measure the height of your window frame from the top to where you'd like your blind to finish.

For windows off the ground it's a good idea to finish 50-100mm below the bottom of the frame to allow for total clearance.

For full length windows it's a good idea to measure to 10mm off the floor.

C Because our Panel Glide blinds come in set widths, you will need to add a balancing measure to each side of the window. Remember to make note of clearance at either side of the window. Because the panels come in either 600mm or 800mm it's a good idea to leave 300-600mm the side in which you intend to have them stack when open.

Essential Measuring Tips

1. Using a metal measuring tape is easier and more accurate.
2. Use our easy measurement sheet to record you measurements and be extra care to ensure you don't reverse the width and drop measurements.
3. Double check all your measurements. We don't refund or replace items due to inaccurate measurements.
4. We need your exact measurements. There is no need to shorten them to allow for clearance. We'll take care of that for you.
5. Remember that all measurements need to be in millimeters.
6. Windows in your home may look the same size, but they may in fact be slightly different. It's always safe to measure every window.
7. If you have any questions don't hesitate calling us on **1300 918 390** between **9am and 9pm Mon to Fri** or **10am to 5pm Sat & Sun**. Our customer service team is more than happy to help.

5 Year
Warranty
www.diyonlineblinds.com.au

**Best Price
Guarantee 10%**
Or we'll beat it by
www.diyonlineblinds.com.au

**Australian
Made &
Owned**
www.diyonlineblinds.com.au

